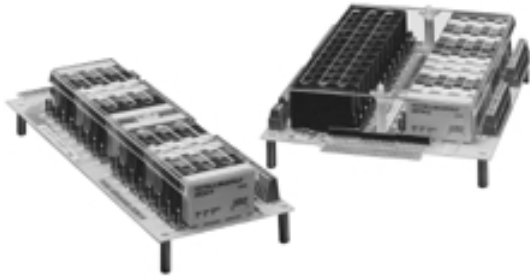


# 2IOM series

## Space Saving Mounting Boards for Slim Line Input/Output Modules



- LED status indicators, plug-in fuses & pull-up resistors
- Card edge, straight header, right-angle header and screw terminal logic connections
- Screw terminals for field wiring
- UL recognized/CSA certified for 125V max. with 5A fuses; 250V max. with #22 solid copper jumper wire instead of fuses

File E61482

File LR15734

Users should thoroughly review the technical data before selecting a product part number. It is recommended that users also seek out the pertinent approvals files of the agencies/laboratories and review them to ensure the product meets the requirements for a given application.

### Ordering Information - Boldface items listed below are more likely to be maintained in stock by authorized distributors.

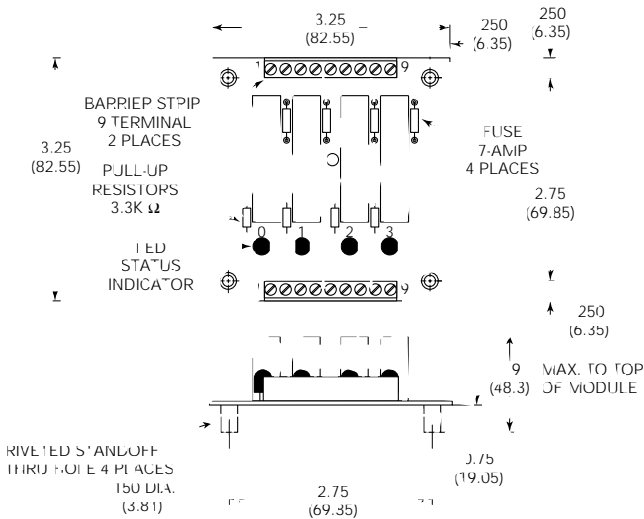
Part Number	2IOM4A	2IOM16	2IOM16A	2IOM16E	2IOM24	2IOM24D	2IOM32D
Number of I/O Channels	4	16	16	16	24	24	32
Number of Module Positions	4	16	16	16	24	24	32
Field Terminals: Screw Terminals	X	X	X	X	X	X	X
Logic Terminals: Screw Terminals	X		X				
Logic Terminals: 50-pin card edge connector		X			X	X	
Logic Terminals: 50-pin straight header						X	X
Logic Terminals: 50-pin right angle header				X			
Will accept 50-pin dual row header		X			X		
Designed for neg. true logic; one logic voltage	X	X	X	X	X	X	X

### Suggested Mating Connectors and Fuses

50-pin card edge connector	3M 3415-0001 <sup>1</sup>
50-pin header connector	AMP 7-1437021-4 <sup>1</sup>
5 amp fuse	Littelfuse 251-005 <sup>1</sup>
7 amp fuse <sup>3</sup>	Littelfuse 251-007 <sup>1</sup>
1 amp fuse <sup>2</sup>	Littelfuse 251-001 <sup>1</sup>

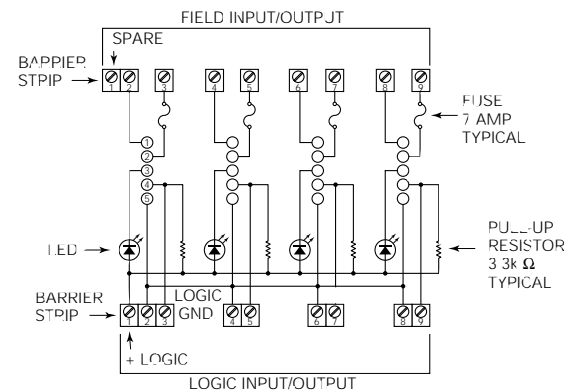
- Notes:**
1. Or equivalent. Customer assumes ultimate responsibility for applicability.
  2. Used only on 24 and 32 position models.
  3. Used only on 2IOM4A and 2IOM16A.

### 2IOM4A Outline Dimensions

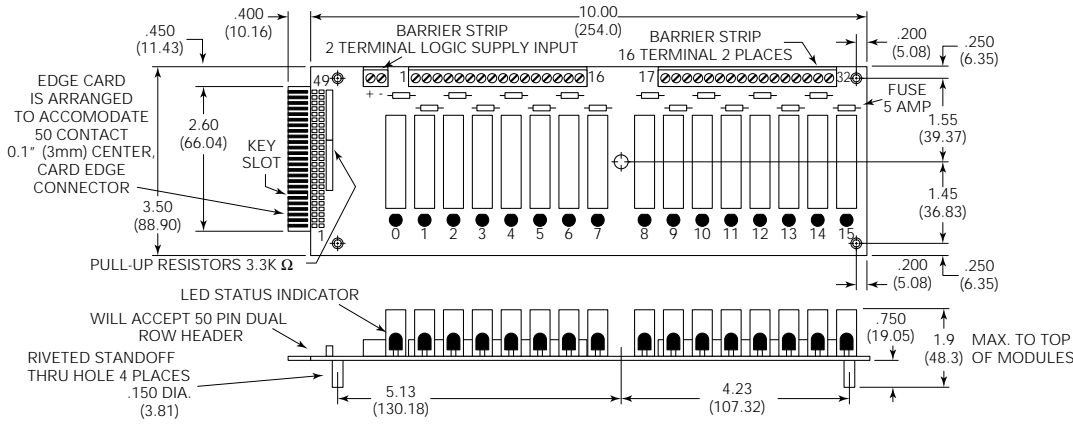


### 2IOM4A Schematic

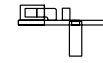
Designed to operate with neg. true logic (active low) systems & one logic voltage.



**2IOM16 & 2IOM16E Outline Dimensions**

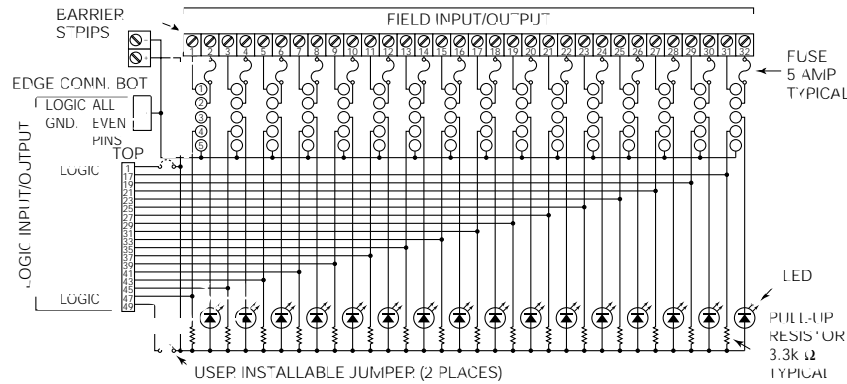


**2IOM16E With Right-Angle Header**

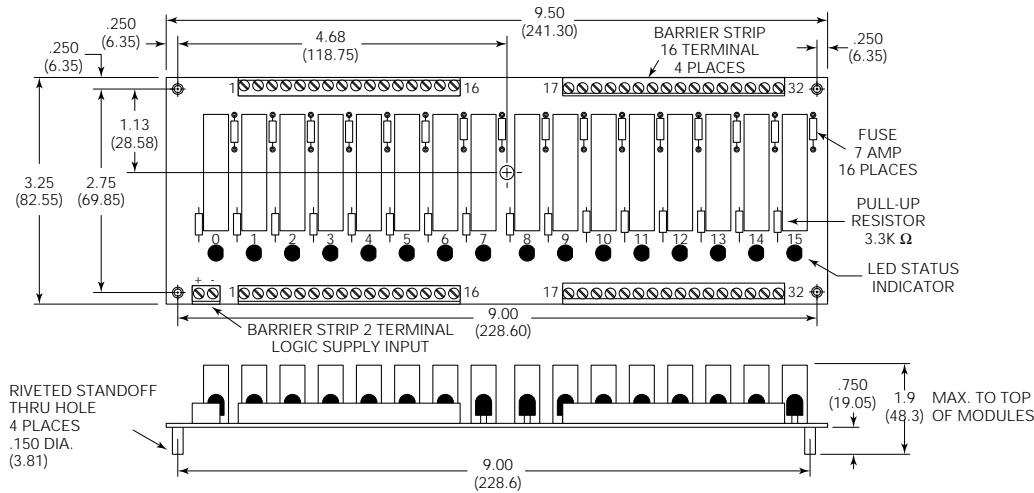


**2IOM16 & 2IOM16E Schematic**

Designed to operate with neg. true logic (active low) systems & one logic voltage.

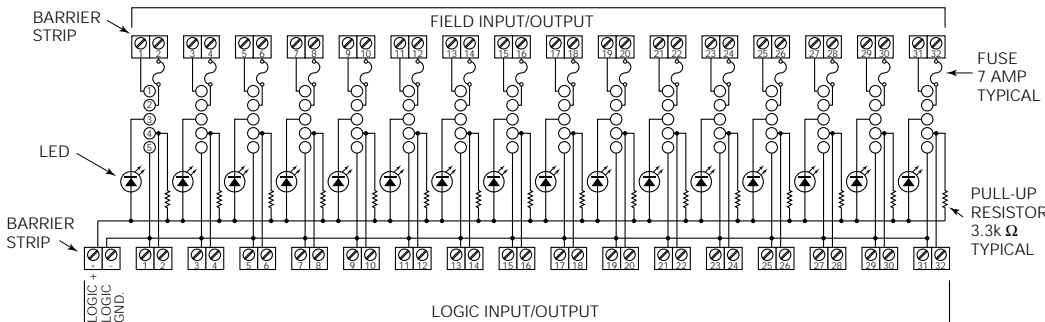


**2IOM16A Outline Dimensions**

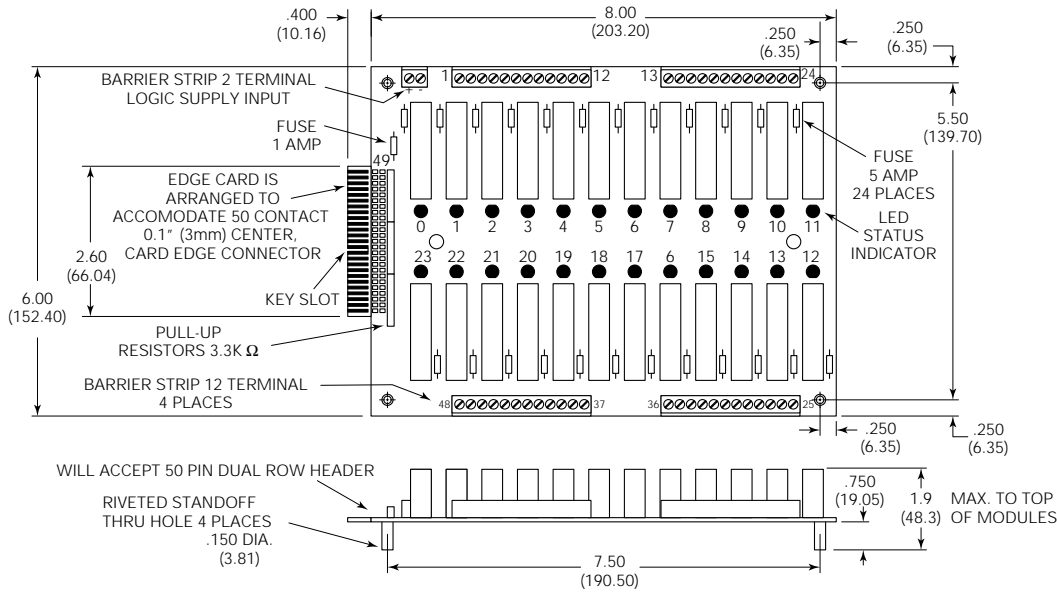


**2IOM16A Schematic**

Designed to operate with neg. true logic (active low) systems & one logic voltage.

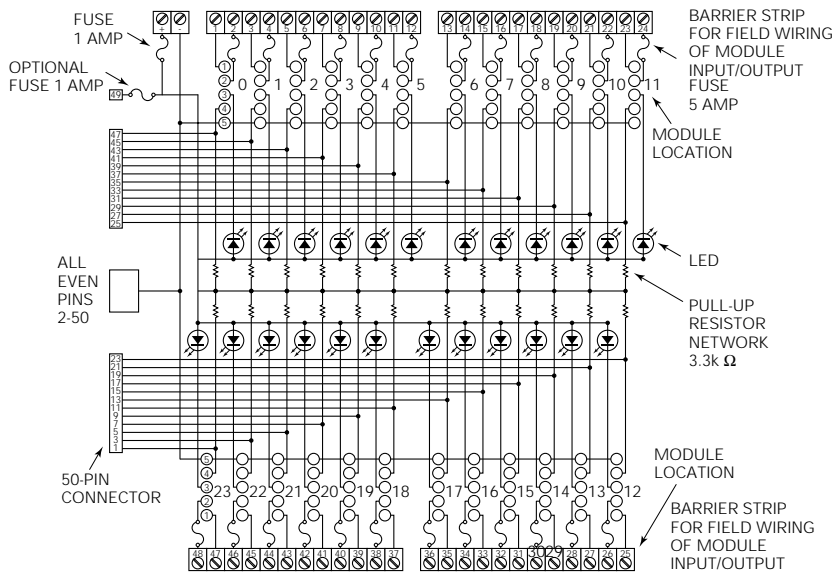


**2IOM24 & 2IOM24D Outline Dimensions**

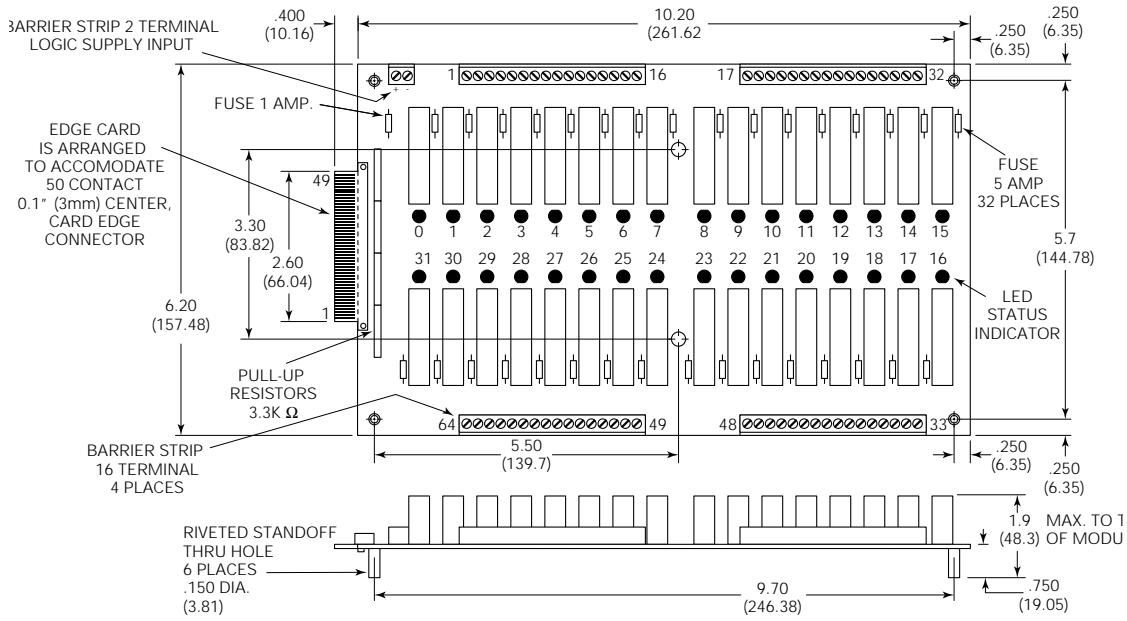


**2IOM24 & 2IOM24D Schematic**

Designed to operate with neg. true logic (active low) systems & one logic voltage.



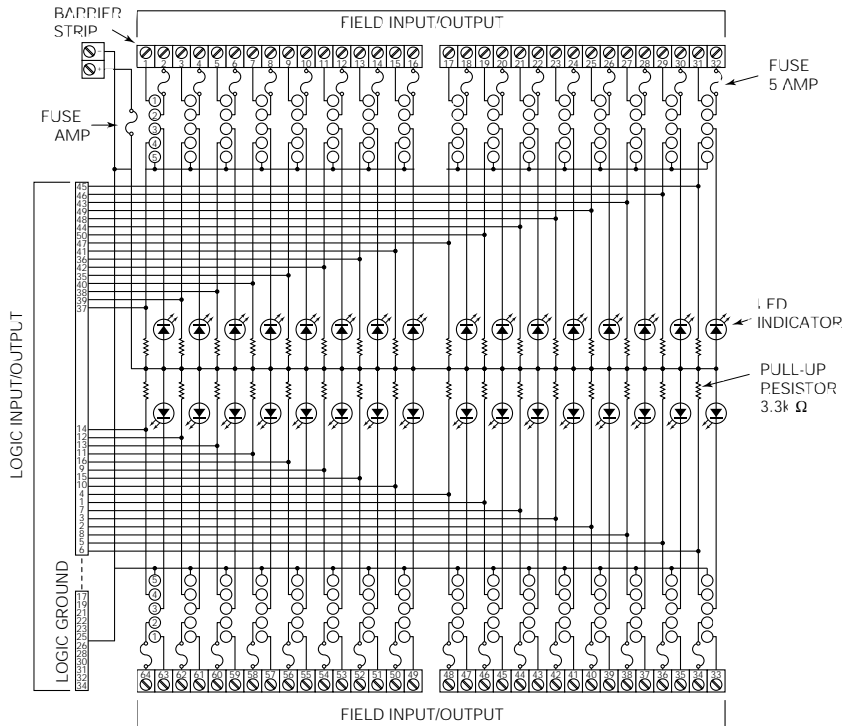
**2IOM32D Outline Dimensions**



2IOM32D With Straight Header

**2IOM32D Schematic**

Designed to operate with neg. true logic (active low) systems & one logic voltage.



**Engineering Notes**

